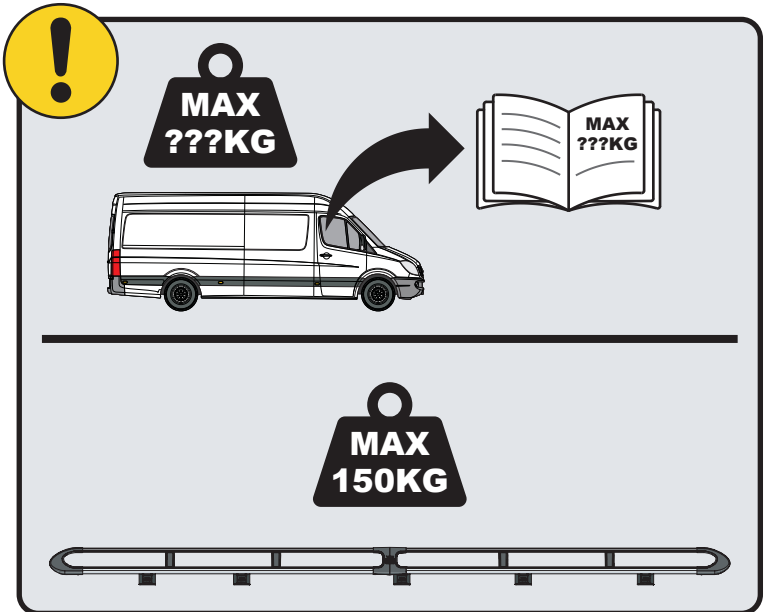
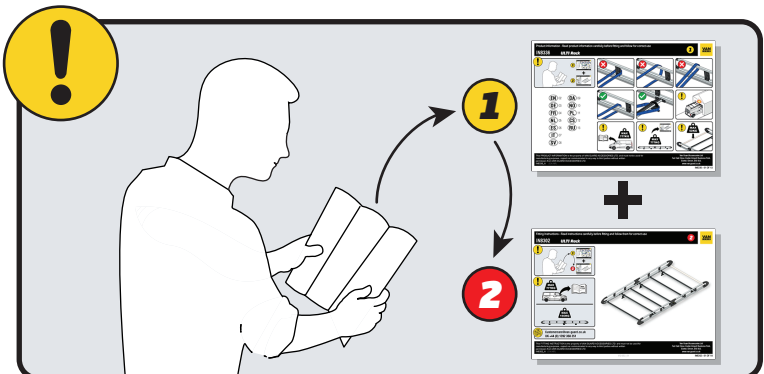


# IN8311

## ULTI Rack+



[Customercare@van-guard.co.uk](mailto:Customercare@van-guard.co.uk)  
UK +44 (0) 1392 368 351



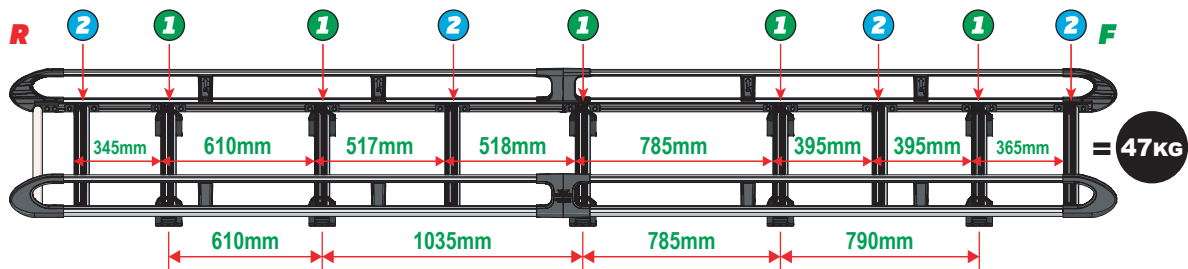
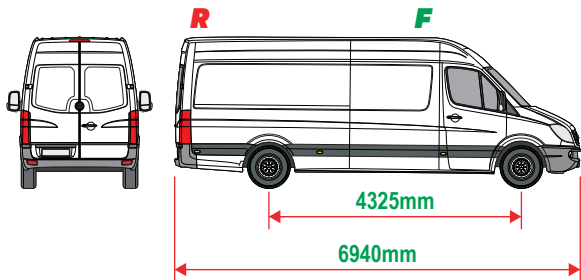
This FITTING INSTRUCTION is the property of VAN GUARD ACCESSORIES LTD. and must not be used for manufacturing purposes, copied nor communicated in any way to third parties without written permission from VAN GUARD ACCESSORIES LTD.  
IN8311\_B (CN:00356)

Van Guard Accessories Ltd  
Fair Oak Close, Exeter Airport Business Park,  
Exeter, Devon, EX5 2UL  
[www.van-guard.co.uk](http://www.van-guard.co.uk)

**THIS INSTRUCTION COVERS THE FOLLOWING MODELS - CHECK YOU ARE FITTING THE CORRECT MODEL BEFORE PROCEEDING**

**VGUR-240**

Mercedes Sprinter: 2006 on  
 Volkswagen Crafter: 2007-2017  
**L3H2 (LWB)**  
 Twin Rear Doors



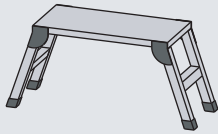
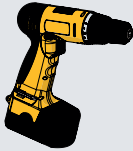
**SUPPLIED COMPONENTS - CHECK ALL PARTS ARE PRESENT AND CORRECT BEFORE PROCEEDING (1 OF 2)**

**TOOLS REQUIRED**

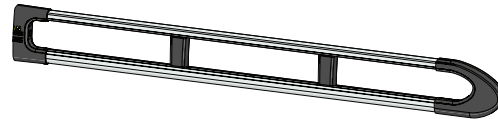
**10MM X1**



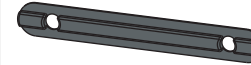
**13MM X1**



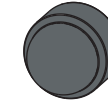
**AS3553 X2**  
(4200 / A)



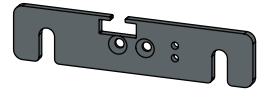
**MA6118 X18**



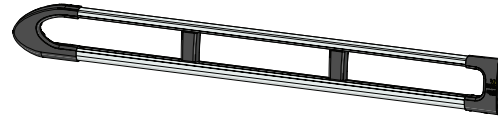
**FX4241 X40**



**ME1622 X4**



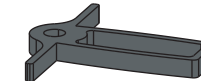
**AS3552 X2**  
(4200 / B)



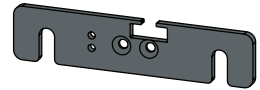
**FX4008 X1**



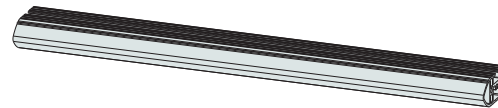
**MA6145 X1**



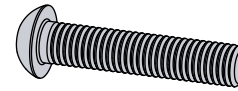
**ME1623 X4**



**ME1628 X9**  
(1554mm)



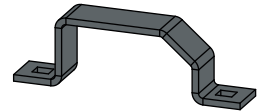
**FX4001 X2**  
(M8X40)



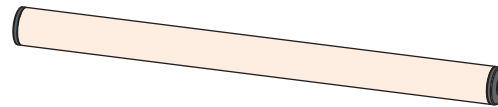
**FX4235 X36**  
(M5X25)



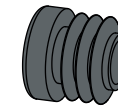
**ME0203 X10**



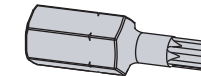
**AS3160 X1**  
(1540mm)



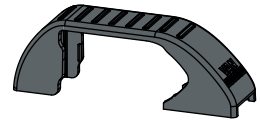
**MA6007 X4**



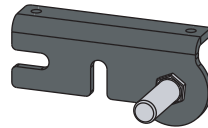
**FX4248 X1**  
(T25)



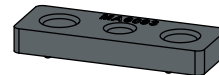
**MA6065 X10**



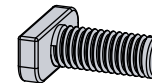
**AS3590 X1**



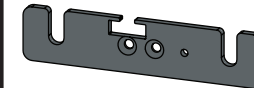
**MA6093 X18**



**FX4239 X40**  
(M8X20)



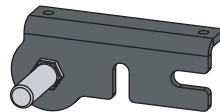
**ME1620 X5**



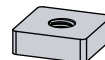
**FX4016 X30**  
(M6)



**AS3591 X1**



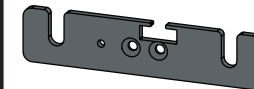
**ME0316 X18**



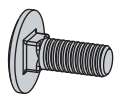
**FX4240 X40**  
(M8)



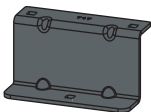
**ME1621 X5**



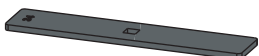
**FX4042 X20**  
(M6X16)



ME0717 X10



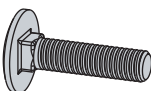
ME0034 X10



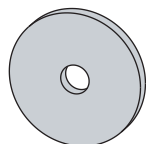
FX4014 X10



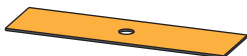
FX4022 X10  
(M6X25)



FX4023 X10

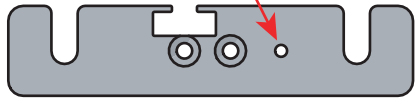


MA6018 X10



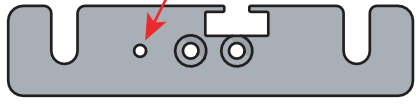
**01**

**1L**



**X5**

**1R**



**X5**

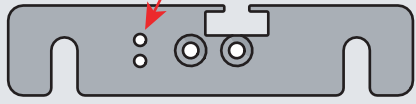


**2L**



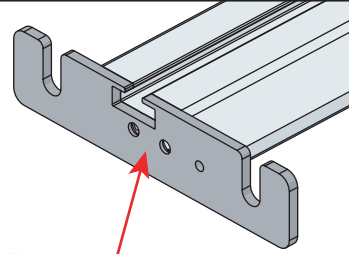
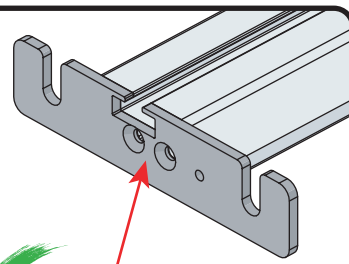
**X4**

**2R**



**X4**

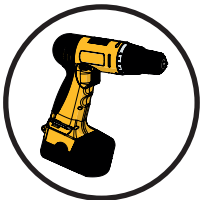
**02**



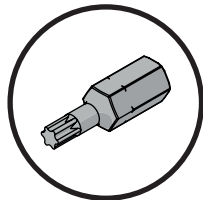
**03**

**01**

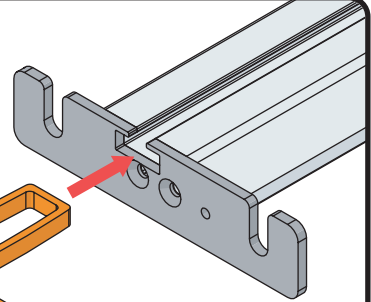
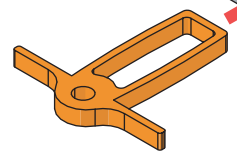
**FX4248**



**+**



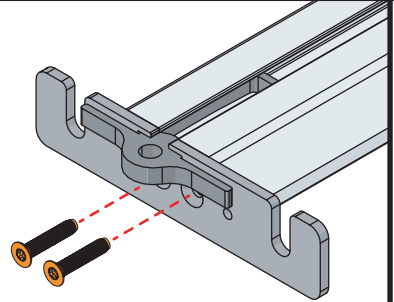
**02**



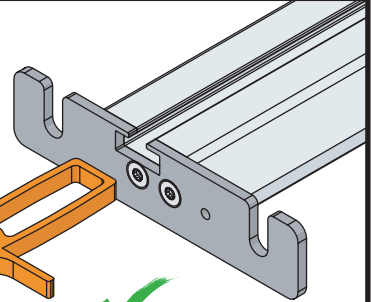
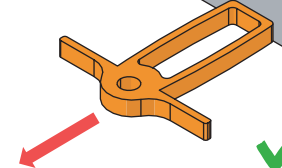
**03**



**11Nm**



**04**

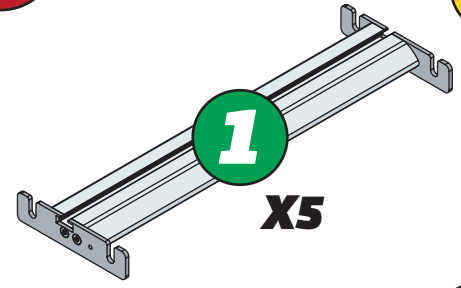


**04**



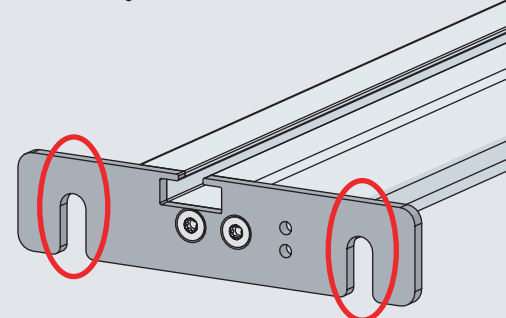
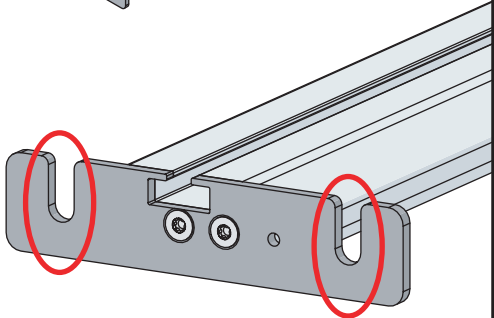
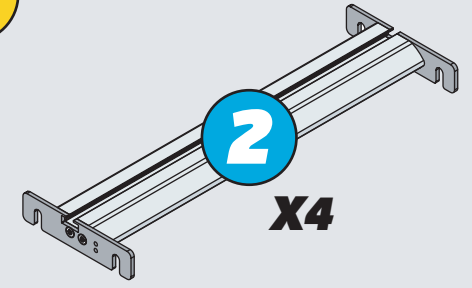
**1**

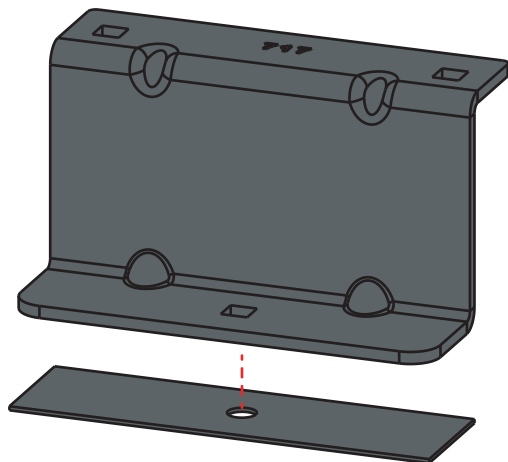
**X5**



**2**

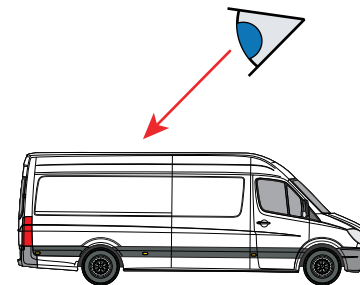
**X4**



**05****X10**

EN - STICK GASKETS TO ALL BRACKETS  
 DE - KLEBEN SIE DIE DICHTUNG AN ALLEN HALTERUNGEN  
 FR - COUSSINETS ADHÉSIFS À TOUS LES SUPPORTS  
 NL - PLAK PAKKING OP ALLE BEUGELS  
 ES - PEGA LAS ALMOHADILLAS A TODOS LOS SOPORTES  
 IT - ADESIVI GUARNIZIONI A TUTTE LE STAFFE

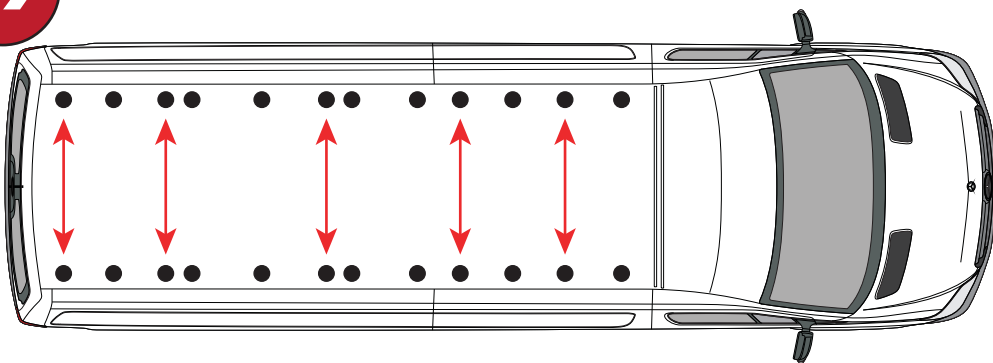
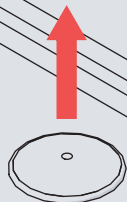
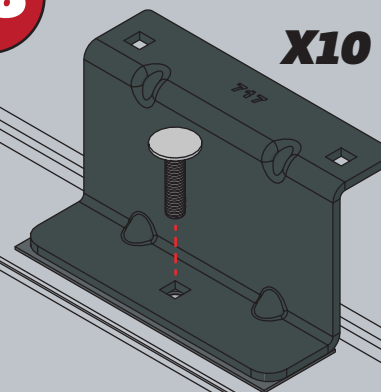
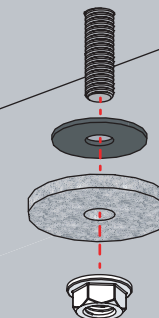
SV - FÄST GUMMI PÅ ALLA FÄSTEN  
 DA - KLÆB GUMMI PÅ ALLE BESLAG  
 NO - PLIST GUMMI PÅ ALLE BRAKKETTER  
 PL - NAKLEJ USZCZELKI DO WSZYSTKICH WSPORNIKÓW  
 CS - PŘILEPTE TĚSNĚNÍ NA VŠECHNY DRŽÁKY

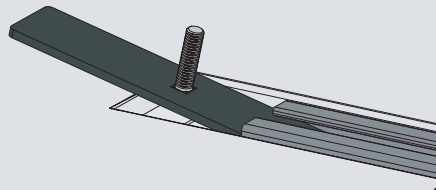
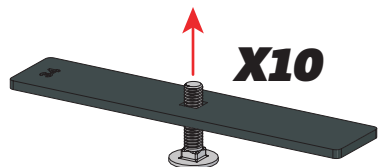
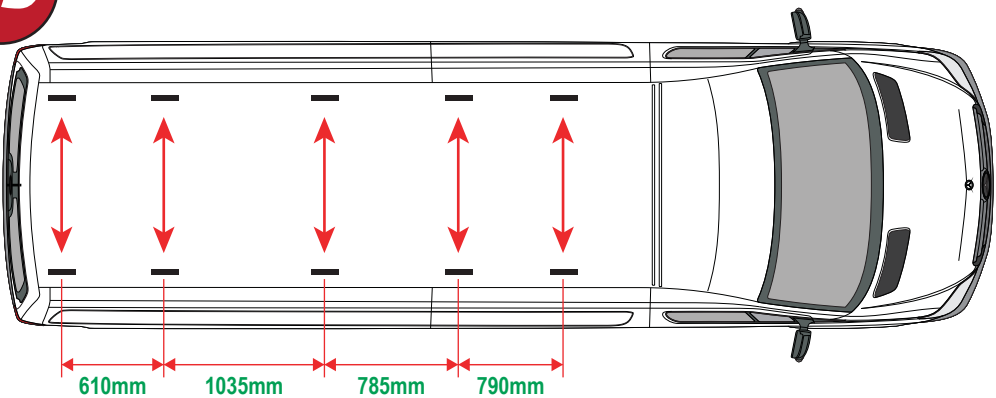
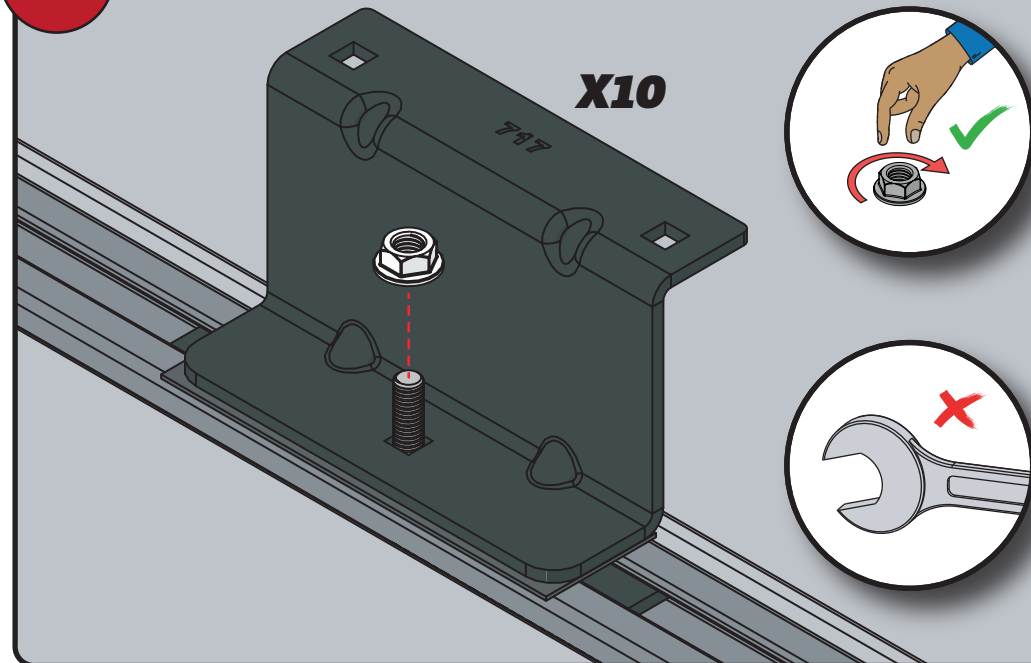
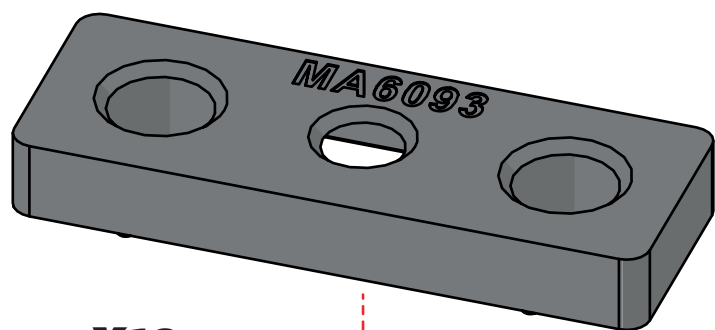
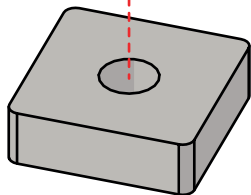
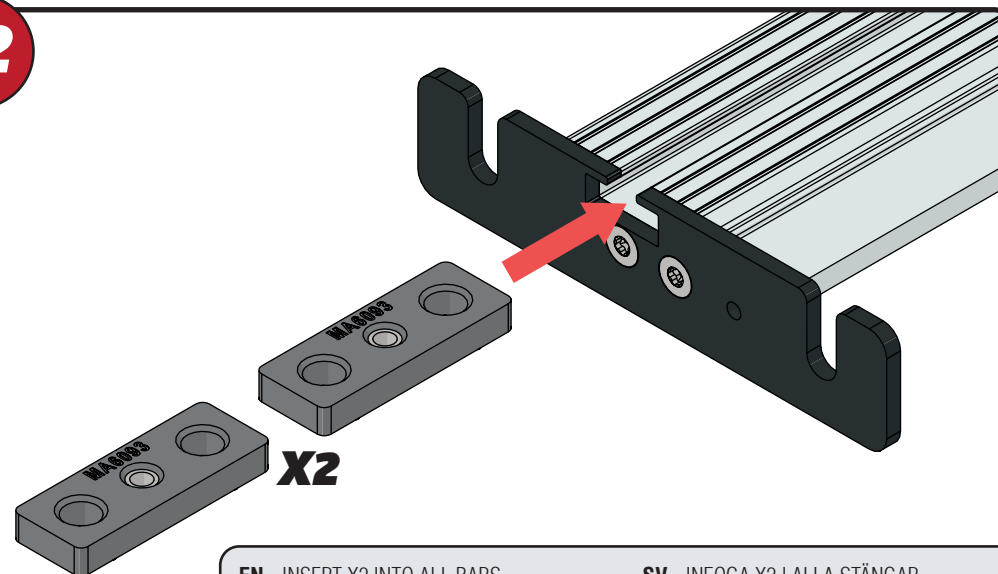
**06**

ROOF PLUGS

**07 08**

ROOF PREPERATION KIT (T-TRACK)

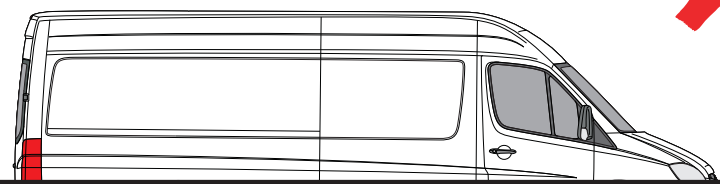
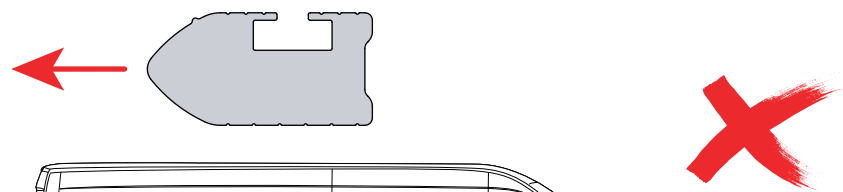
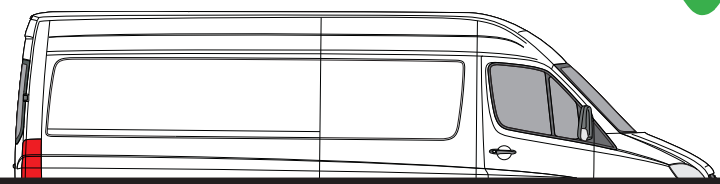
**09 10****07****X10****08****X10**

**09****10****11****X18****12**

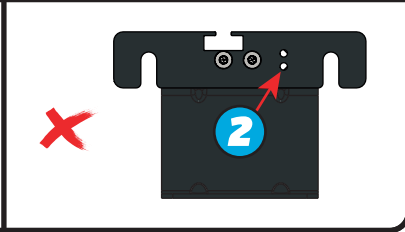
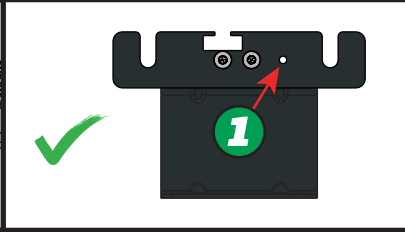
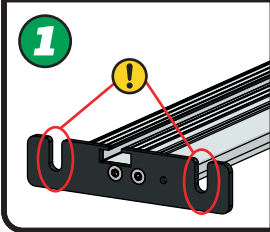
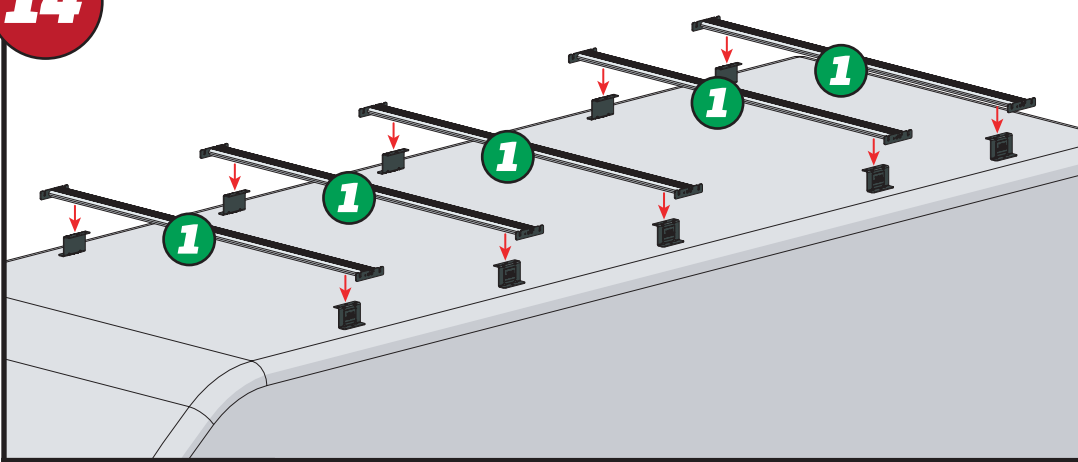
EN - INSERT X2 INTO ALL BARS  
 DE - X2 IN ALLE STANGEN EINFÜGEN  
 FR - INSÉRER X2 DANS TOUTES LES BARRES  
 NL - PLAATS X2 IN ALLE BARS  
 ES - INSERTAR X2 EN TODAS LAS BARRAS  
 IT - INSERIRE X2 IN TUTTE LE BARRE

SV - INFOGA X2 I ALLA STÄNGAR  
 DA - INDSÆT X2 I ALLE STÆNGER  
 NO - SETT X2 INN I ALLE TAKSTENGER  
 PL - WSTAW X2 DO WSZYSTKICH PRĘTÓW  
 CS - VLOŽTE X2 DO VŠECH TYČÍ

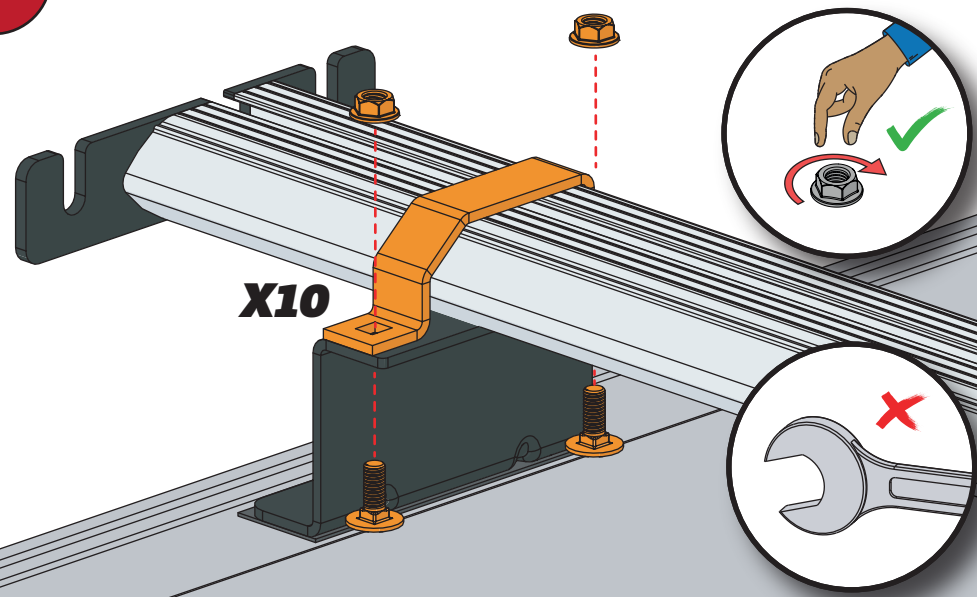
13



14

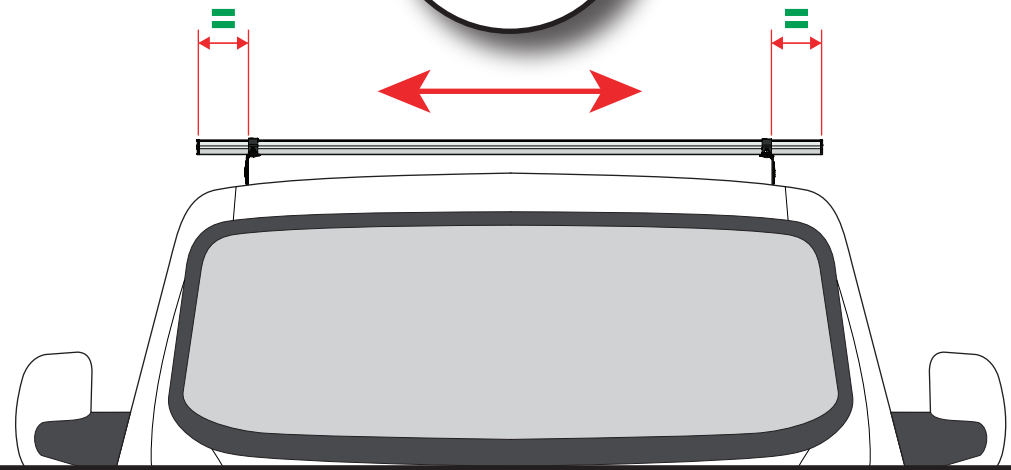
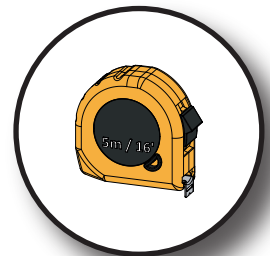


15



X10

16

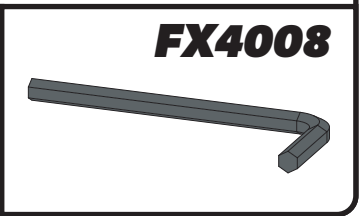
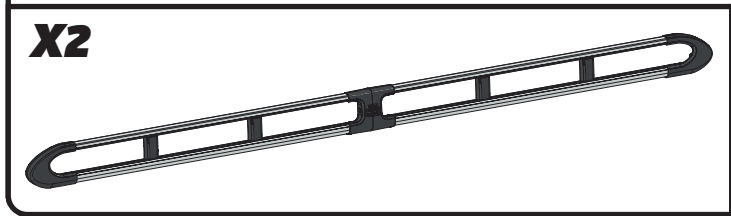
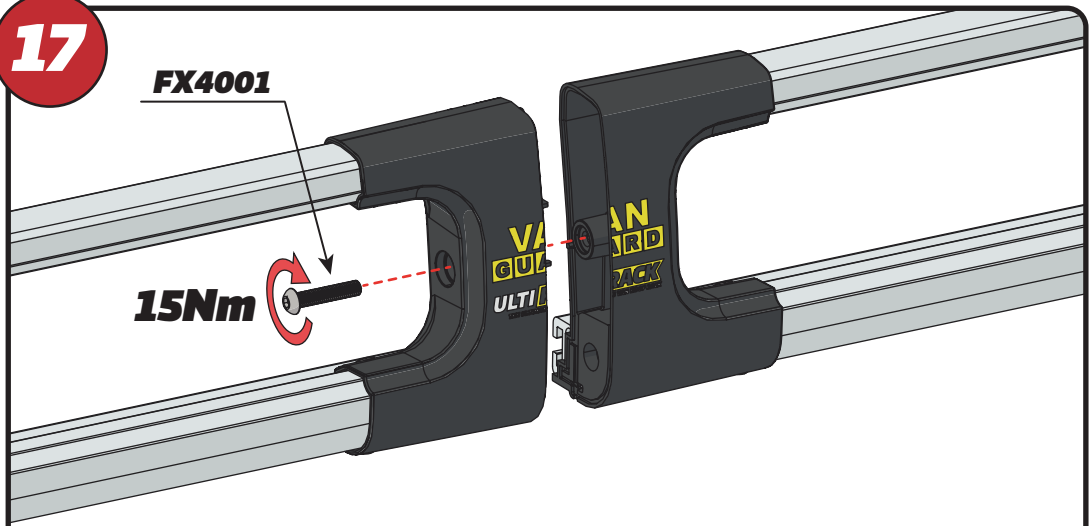




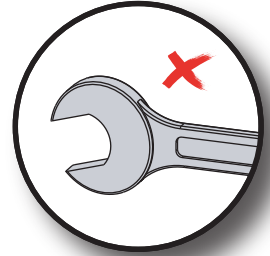
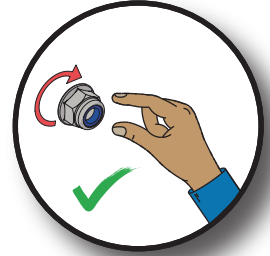
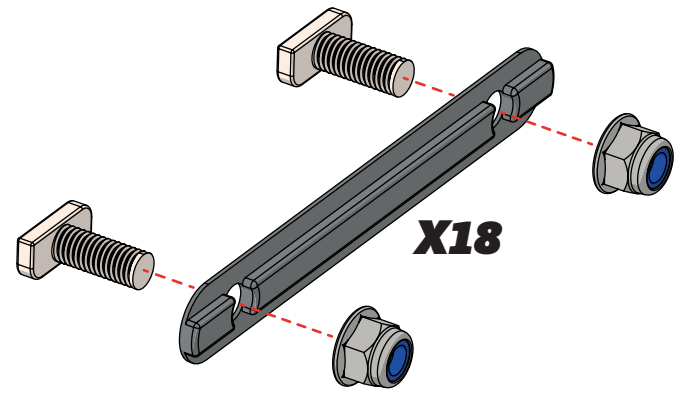
17

FX4001

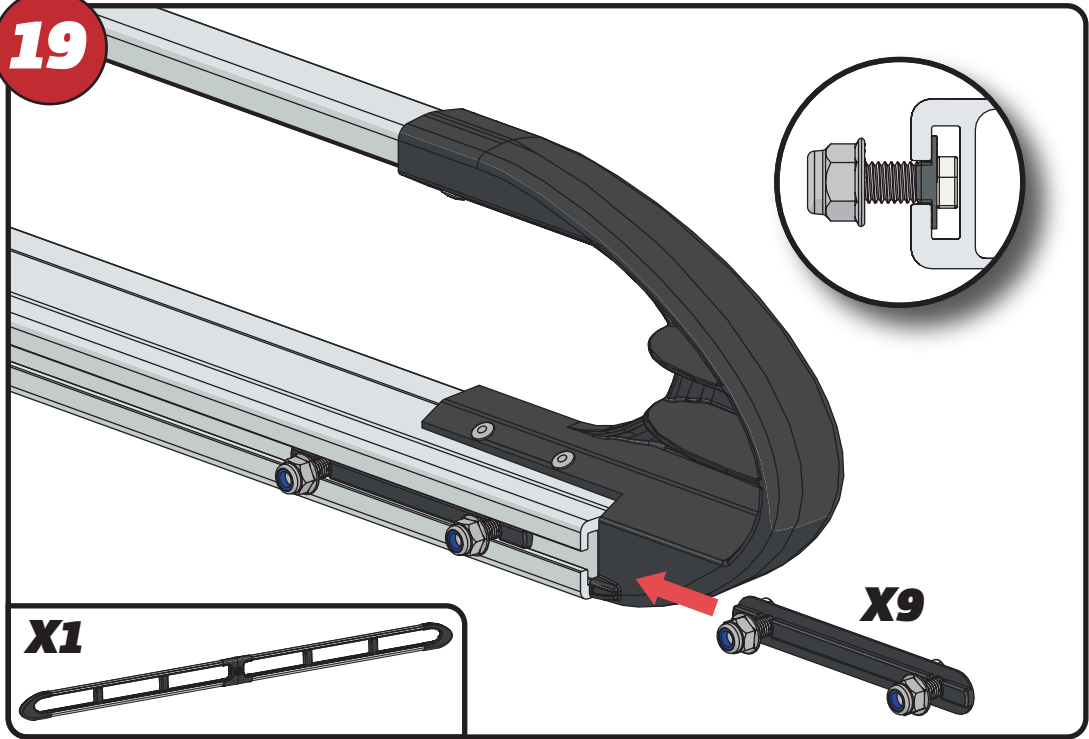
15Nm



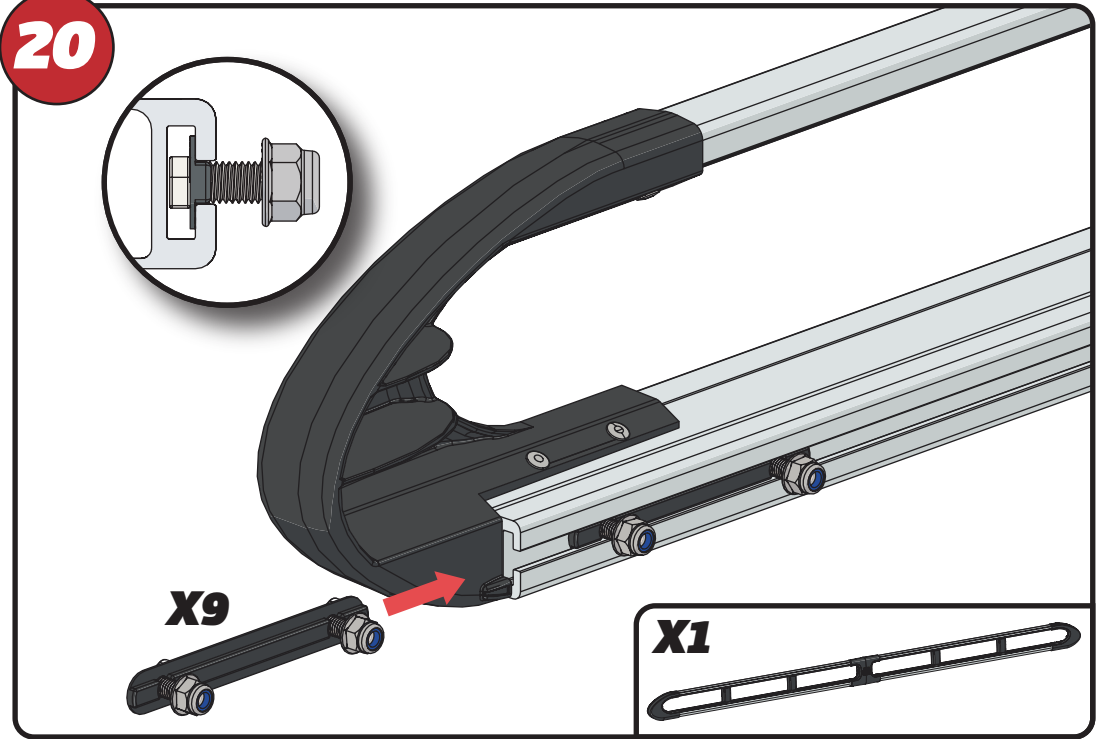
18



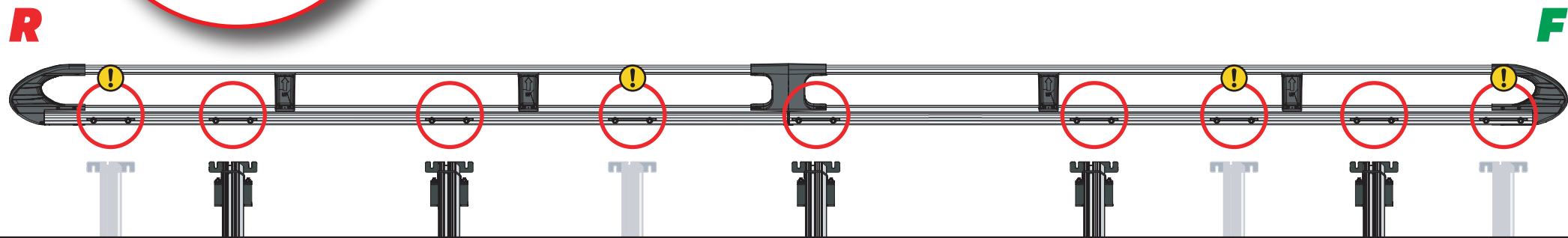
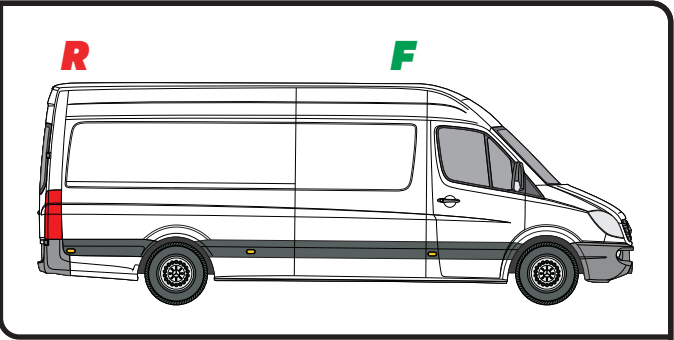
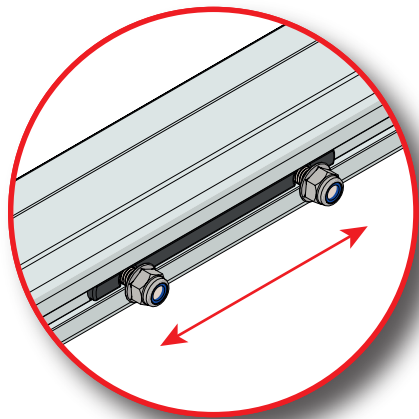
19



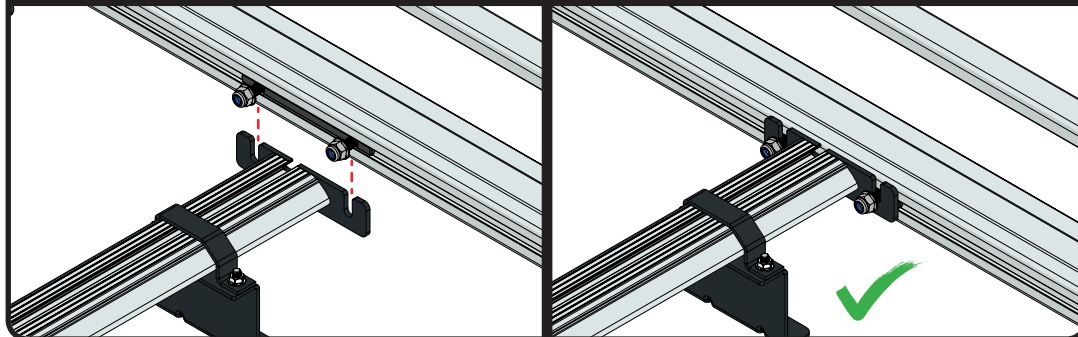
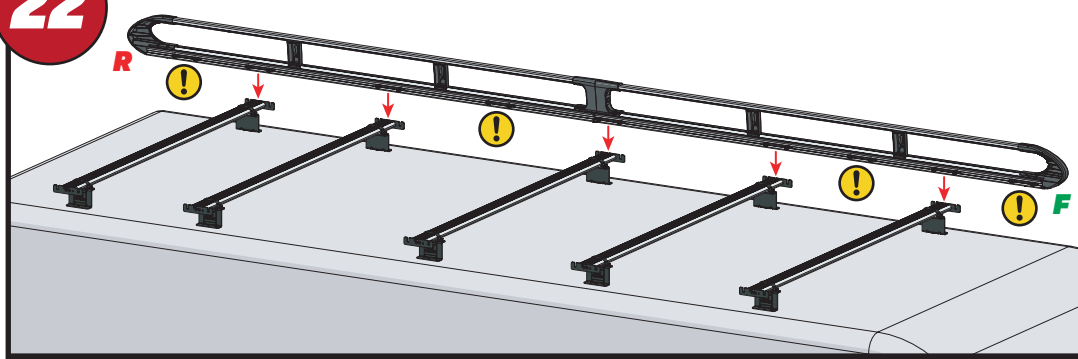
20



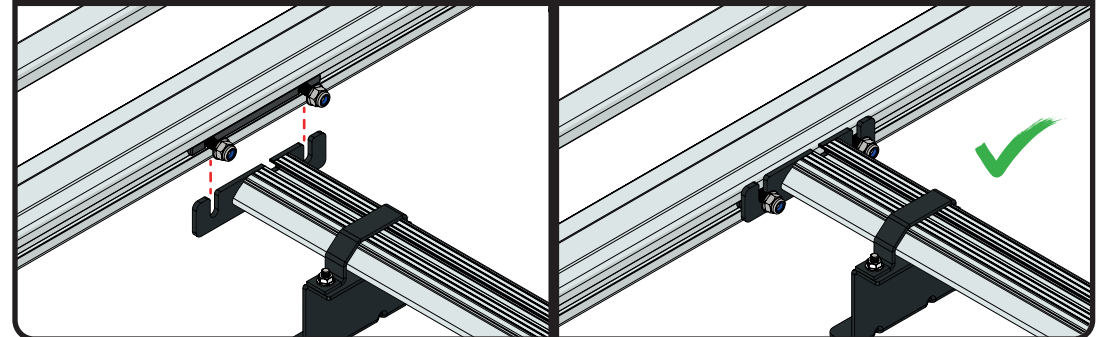
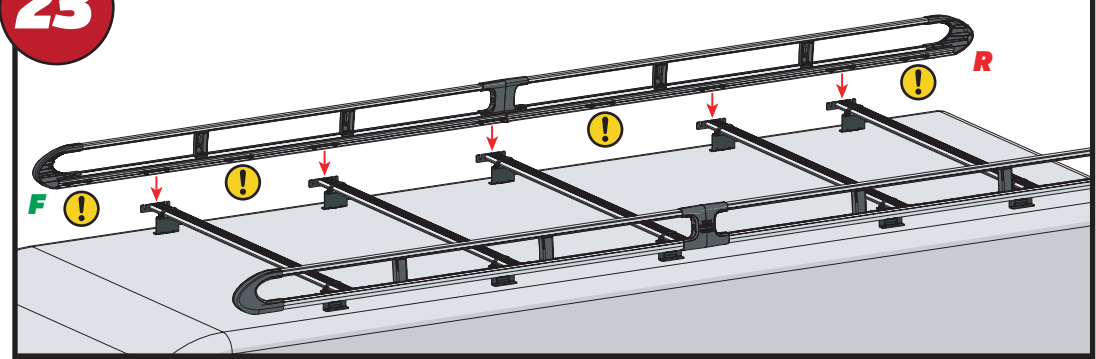
21



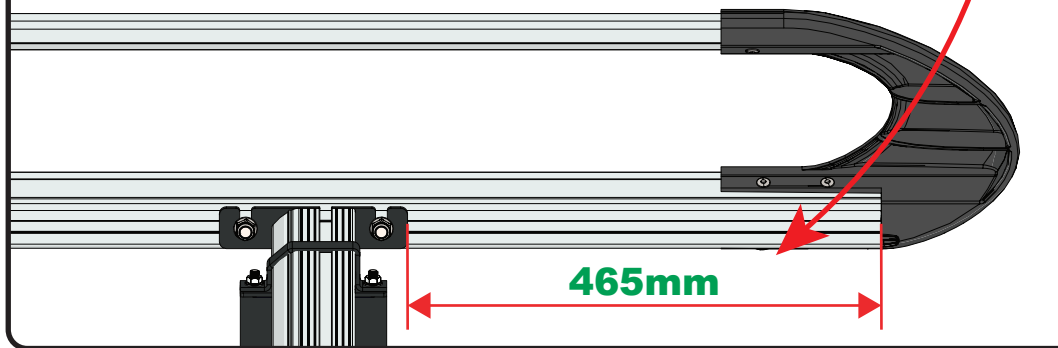
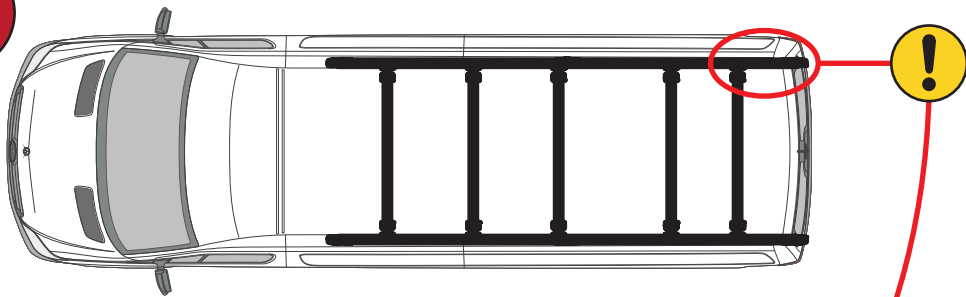
22



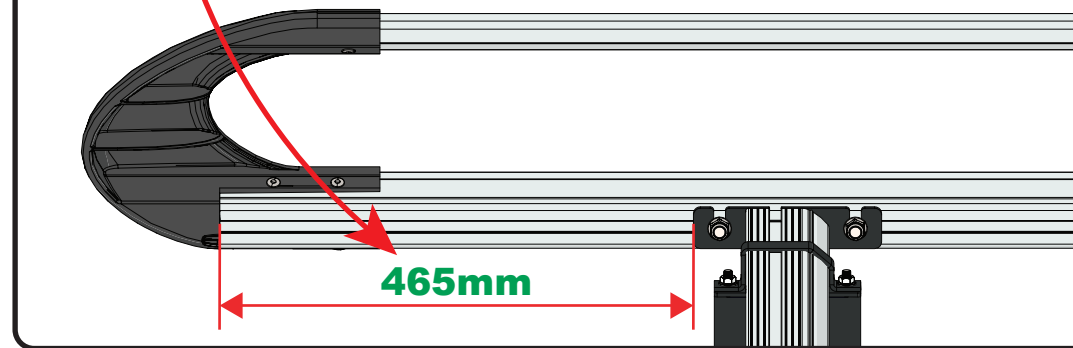
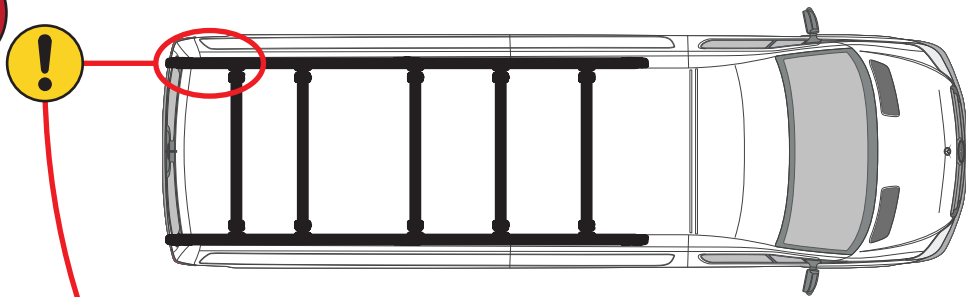
23



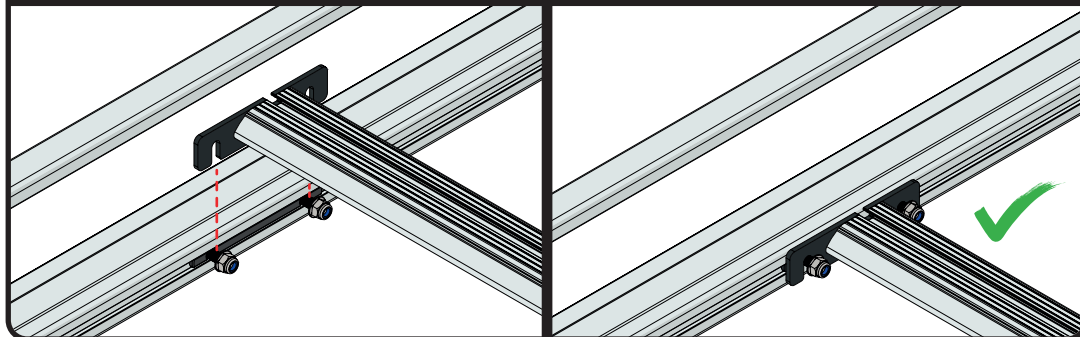
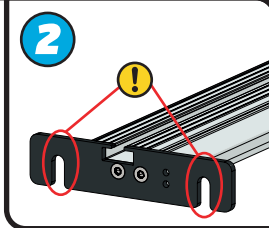
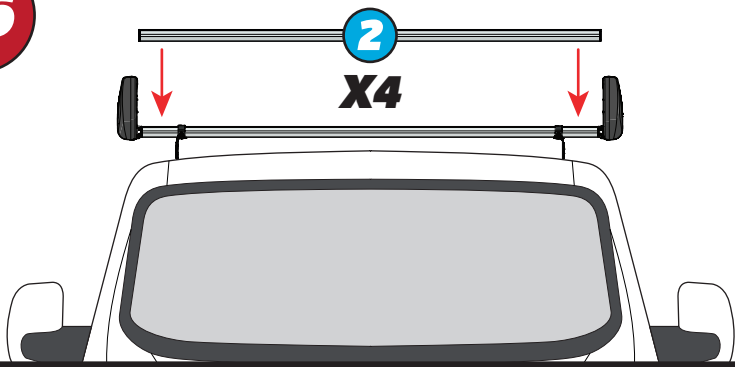
24



25

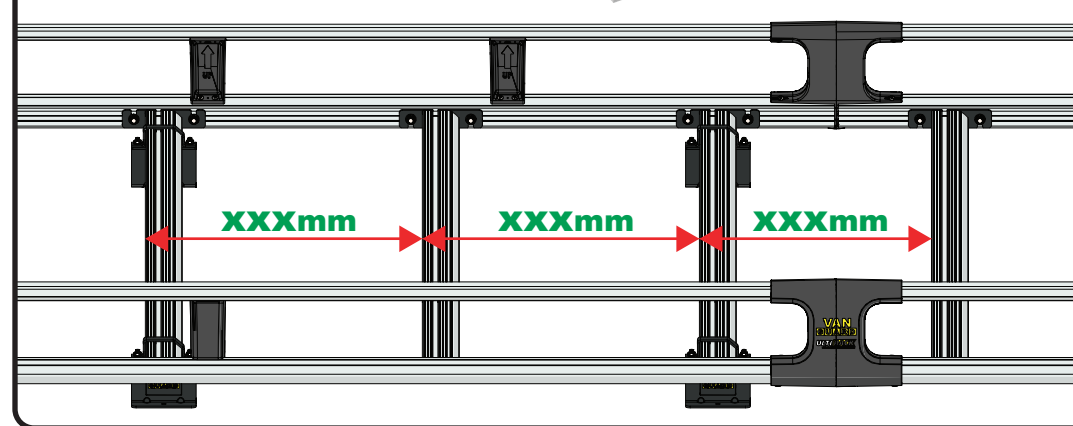
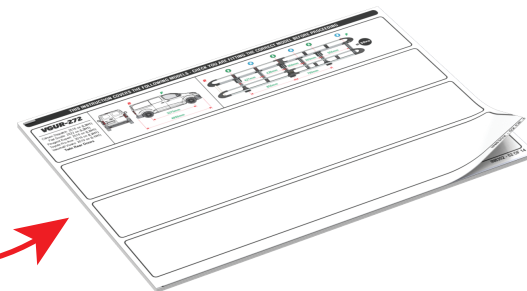


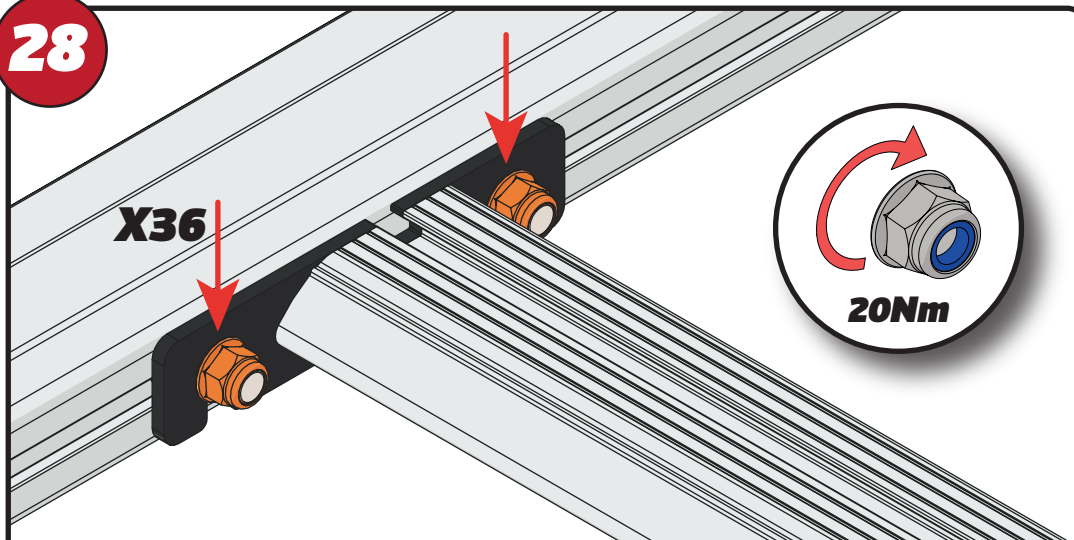
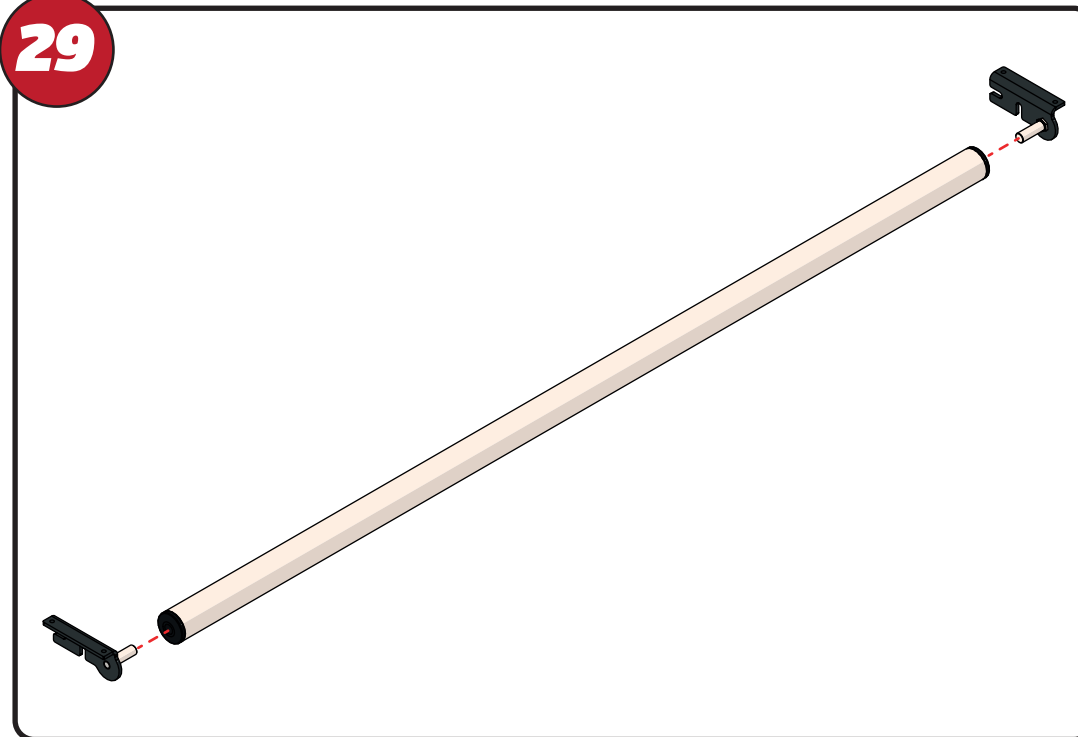
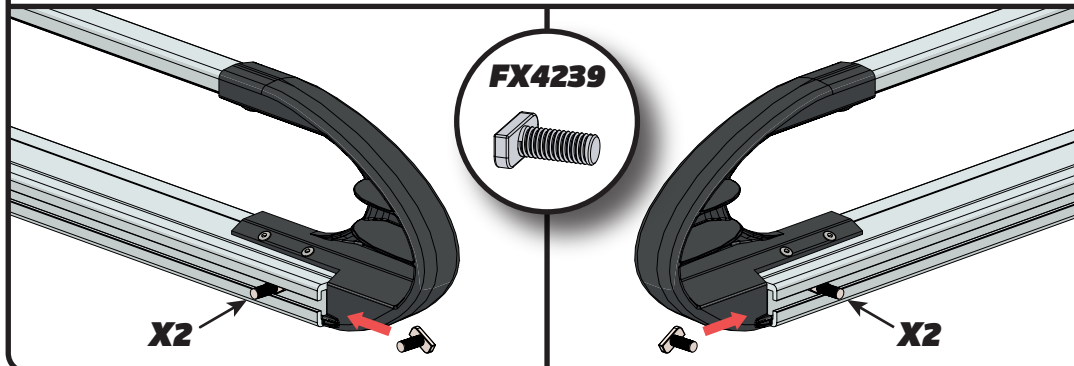
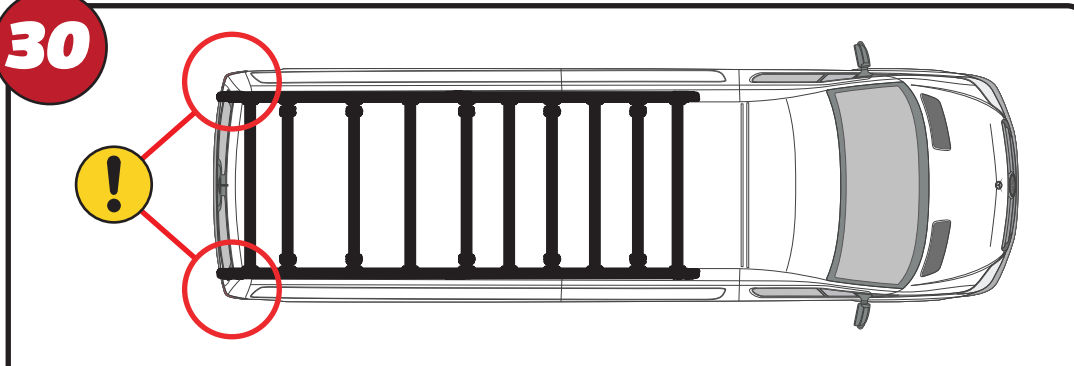
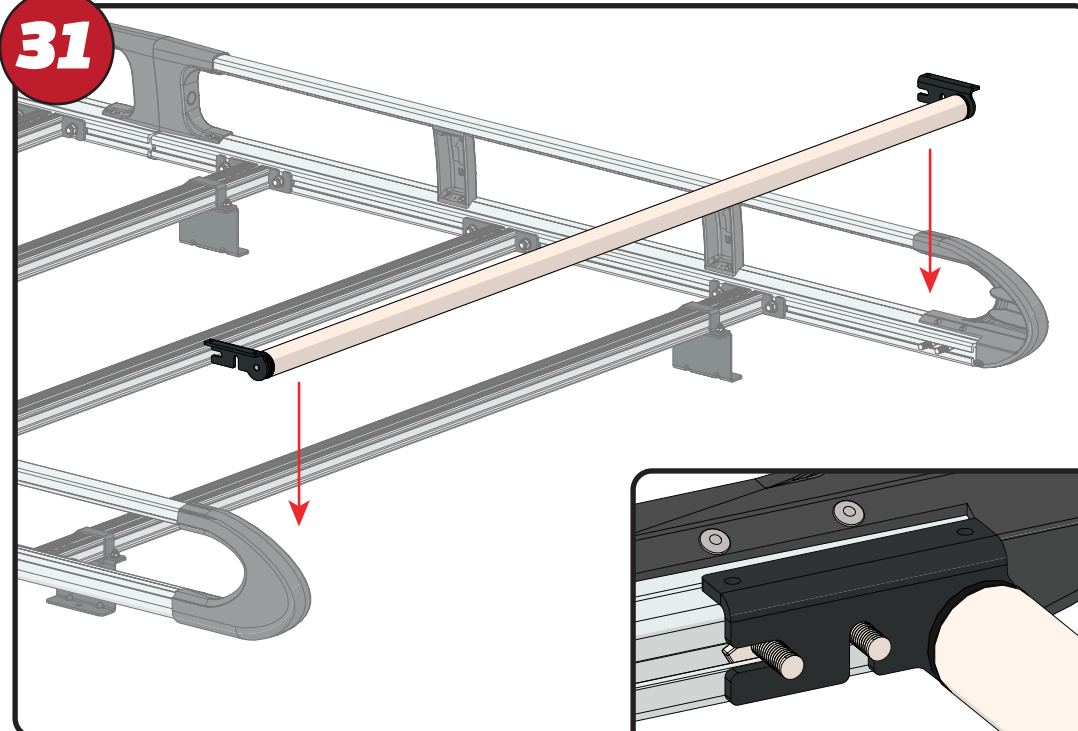
26



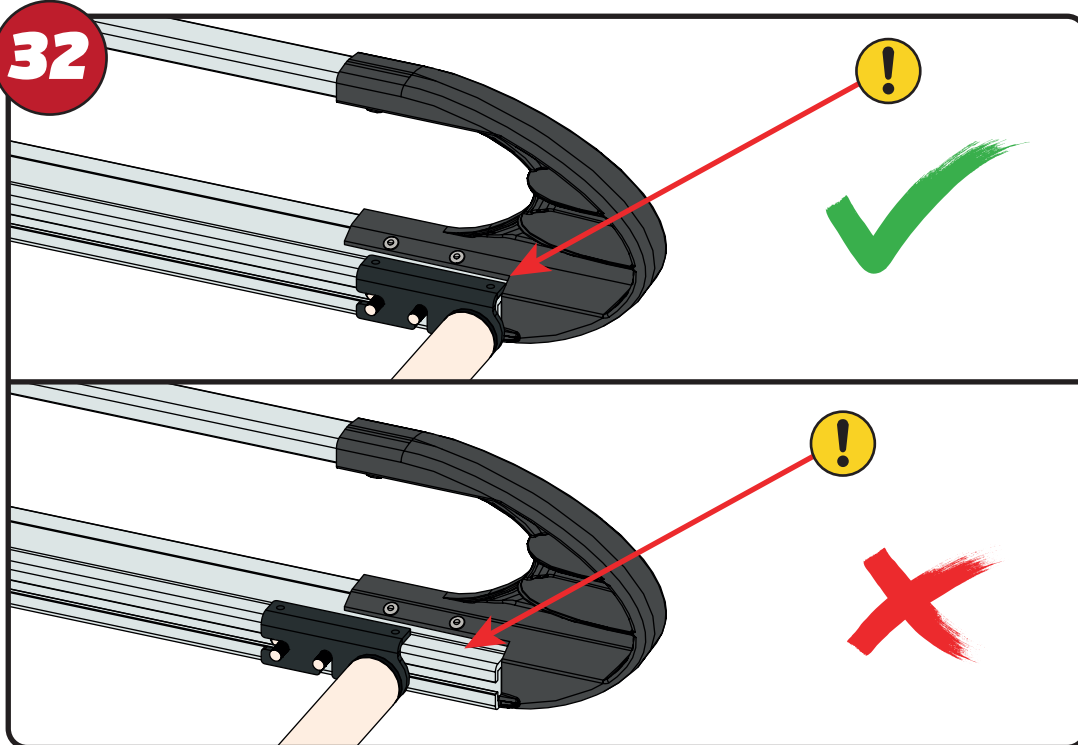
27

XXX = PAGE 2 OF 15

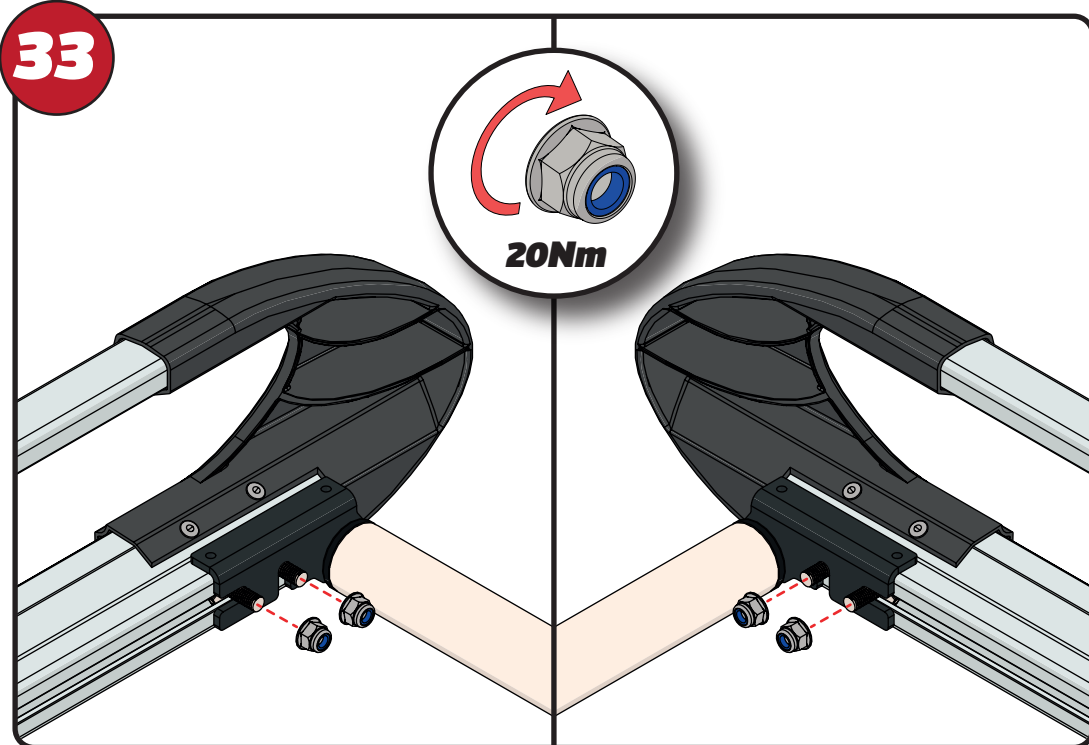


**28****X36****20Nm****EN** - TIGHTEN ALL OF THE CROSS BARS**DE** - ALLE QUERSTANGEN FESTZIEHEN**FR** - SERREZ TOUTES LES BARRES TRANSVERSALES**NL** - DRAAI ALLE DWARSBALK VAN HET DAK AAN**ES** - APRIETE TODAS LAS BARRAS TRANSVERSALES**IT** - STRINGERE TUTTE LE BARRE TRASVERSALI**SV** - SKRU UPP ALLA KORSSTANGAR**DA** - SKRU ALLE TAGBØJLER OP**NO** - SKRU OPP ALLE TVERRSTENGER**PL** - DOKRĘCIĆ WSZYSTKIE POPRZECZKI**CS** - VŠECHNY PŘÍČNÉ TYČE SEŠROUJTE**29****30****FX4239****X2****X2****31**

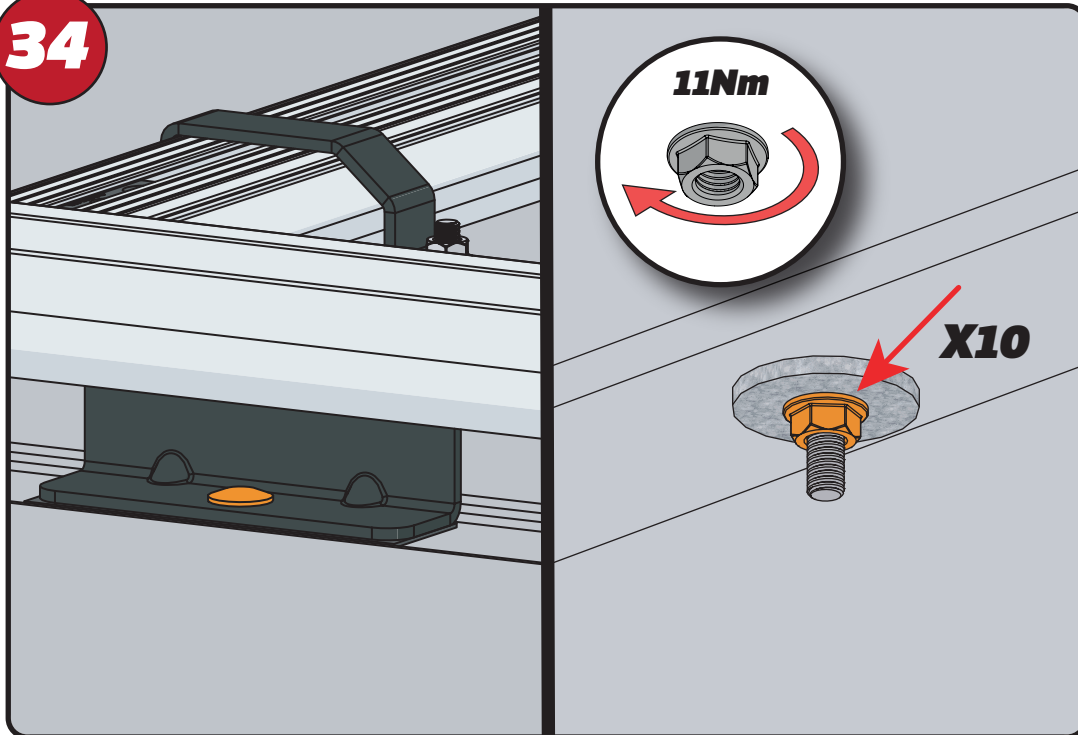
32



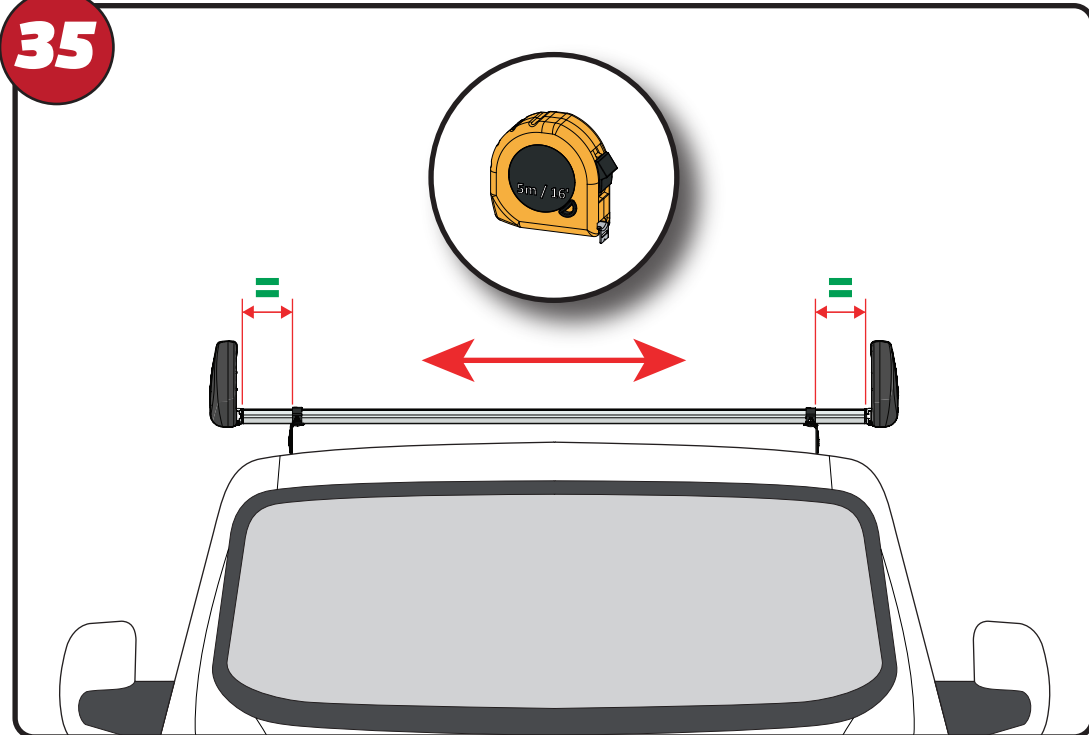
33



34

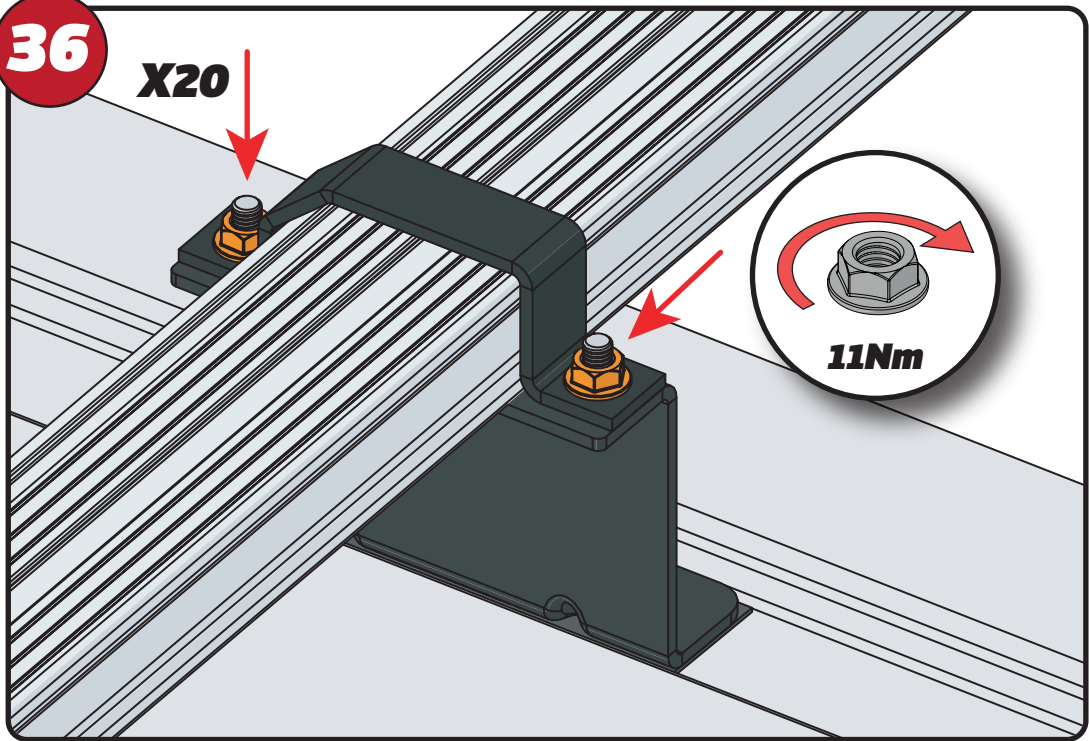


35



**36**

**X20**

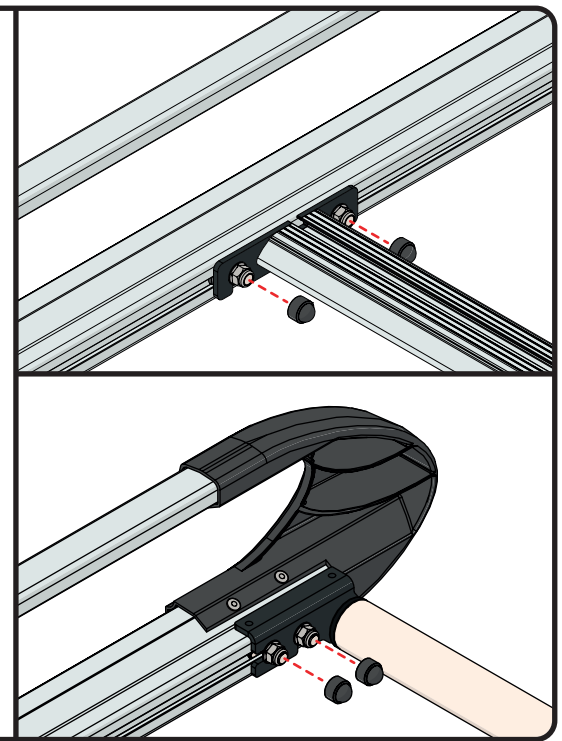


**37**

**FX4241**

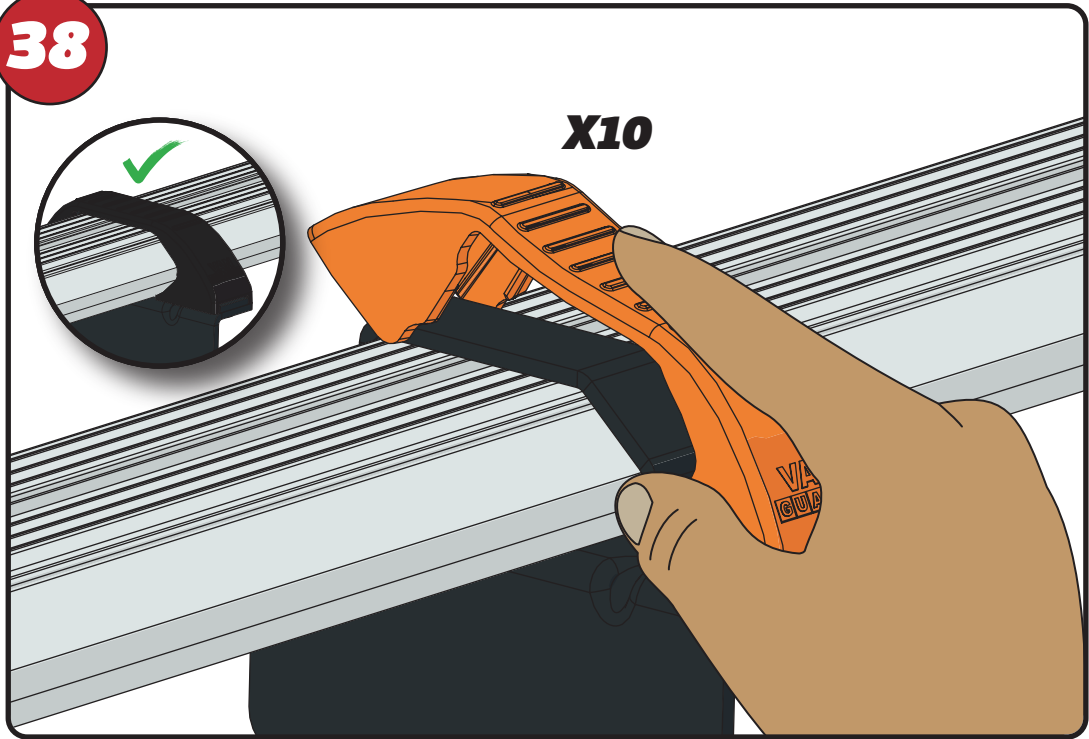


**X40**



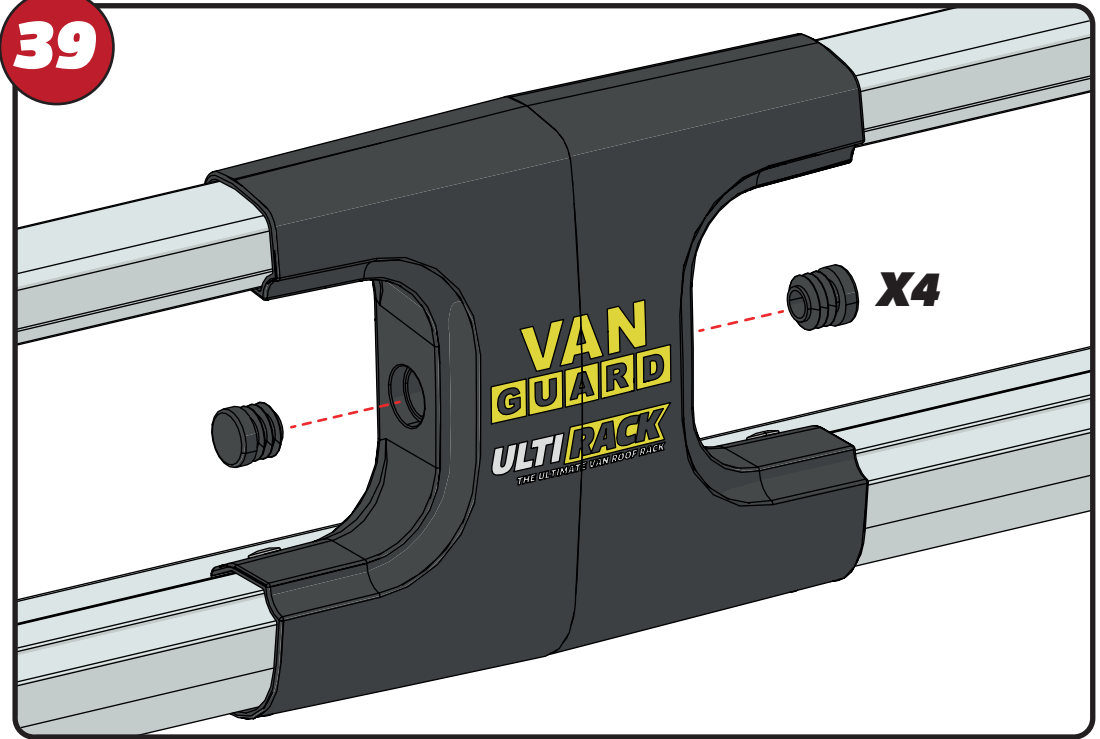
**38**

**X10**



**39**

**X4**



40

